



The patent-pending LPS69273NT antenna is a multiband low profile omnidirectional disk/puck antenna operating over the 698-960 MHz and 1710-2700 MHz frequency bands. Designed to be a surface mount antenna that performs well on metallic and non-metallic\* surfaces, the antenna is ideal for use in Machine-to-Machine (M2M) applications. The housing incorporates a low profile, rugged design that conforms to IP67 standards making the antenna suitable for both indoor and outdoor applications.

## FEATURES AND BENEFITS

- Low profile, aesthetically-neutral housing
- Surface mount with stud and locking nut
- Designed for both indoors and outdoors
- IP67-rated for harsh environments
- Both 3G/4G LTE and Wi-Fi communications
- Made for both metal and non-metallic\* surfaces

\* Requires a 300-millimeter diameter ground plane kit (order separately with P/N HKIT-LPx-001)

## ELECTRICAL SPECIFICATIONS

Operating Frequency (MHz)	698-806	824-894	880-960	1710-1880	1850-1990	1910-2170	2300-2500	2500-2700
VSWR – Avg	<2.7:1	<2.9:1	<2.8:1	<2.1:1	<1.7:1	<1.7:1	<2.3:1	<2.3:1
VSWR – Max	<3.0:1	<3.0:1	<3.0:1	<3.0:1	<3.0:1	<3.0:1	<3.0:1	<3.0:1
Peak Gain – Typ. (dBi)								
On metal housing	2.1	0.7	1.7	5.4	4.6	4.5	3.4	3.7
On plastic housing with ground plane kit	2.4	1.1	2.3	5.5	4.4	4.0	3.8	3.8
Peak Gain - Max (dBi)								
On metal housing	2.5	1.1	2.3	5.9	4.8	4.9	3.8	4.0
On plastic housing with ground plane kit	2.9	1.4	3.1	5.9	5.3	4.3	4.4	4.3
Nominal Impedance (Ohms)	50							
Max Power - Ambient 25°C (W)	10							
Polarization	Linear, Vertical							
Azimuth Beamwidth	Omnidirectional							

## MECHANICAL SPECIFICATIONS

Dimensions – diameter x height – mm (inches)	127 x 31 (5 x 1.22)
Weight – kg (lbs.)	Approximately 0.2 (0.44)
Cable Type	RG316
Radome Material and Color	PC, UV stable, UL94-V0- material, black
Cable Type	RG316

## ENVIRONMENTAL SPECIFICATIONS

Operating Environment	Indoor or outdoor
Operating Temperature – °C (°F)	-30 to +70°C (-22 to +158°F)
Storage Temperature – °C (°F)	-40 to +85°C (-40 to +185°F)
Ingress Protection Rating	IP67
Material Substance Compliance	RoHS

## CONFIGURATION

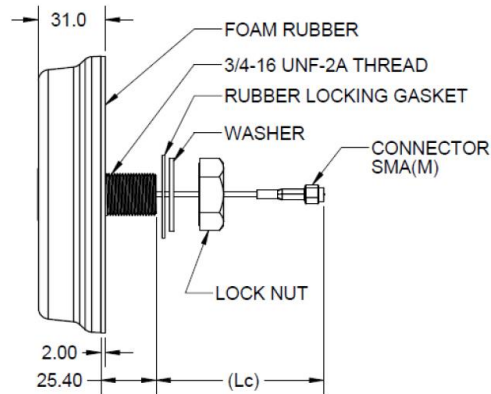
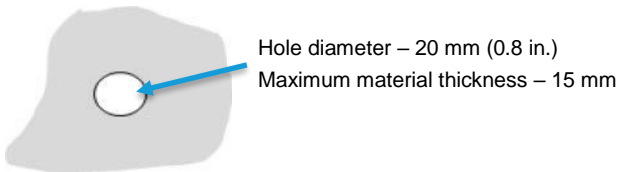
PART NUMBER	CABLE LENGTH	CONNECTOR
LPS69273NT-61SMAM	610 mm (24 in.)	SMA-male
LPS69273NT-61RTNM	610 mm (24 in.)	RTNC-male

## MOUNTING

A threaded post on the back of the antenna and a supplied mounting nut is the primary mounting method when access is available to both sides of the mounting surface, such as a ceiling of a truck, meter, and vending machine. Mark the desired mounting location on the tile and cut a  $\varnothing 20$  mm (0.8") hole for threaded post. Feed the cables through the hole and secure the antenna with the mounting nut.

The included rubber locking gasket should only be used with the mounting nut when mounting to a hard surface.

**Note:** You should mount the antenna on the desired location before you connect the cable. This ensures that you do not twist or damage the cable during the mounting of the antenna.

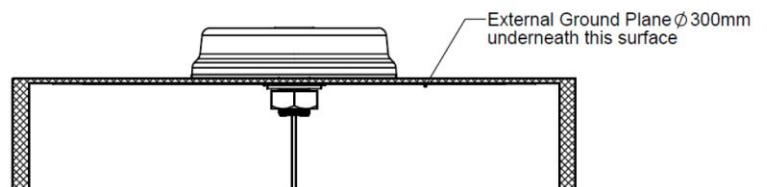
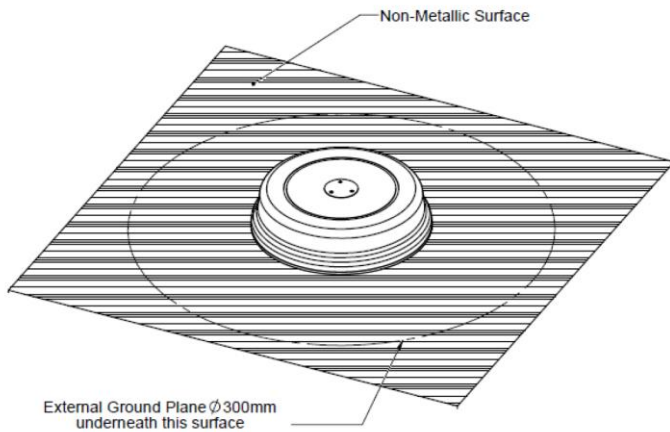


### Housing Configurations



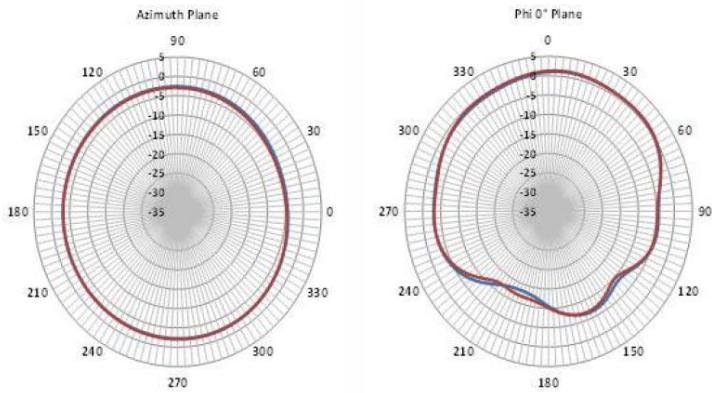
### Optional Ground Plane Kit

For mounting on a non-metallic surface – Hardware Kit Part Number: HKIT-LPx-001

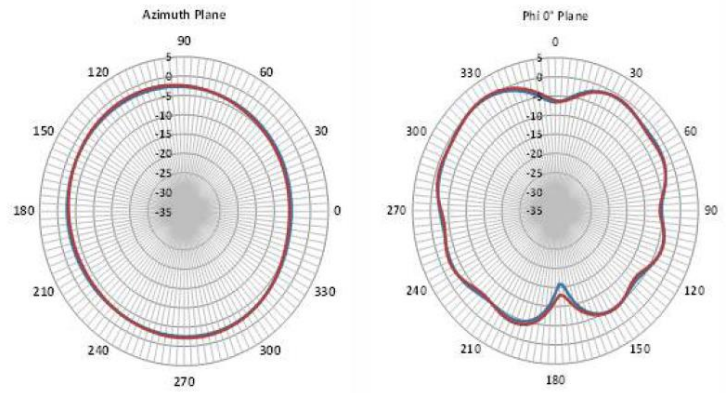


RADIATION PATTERNS

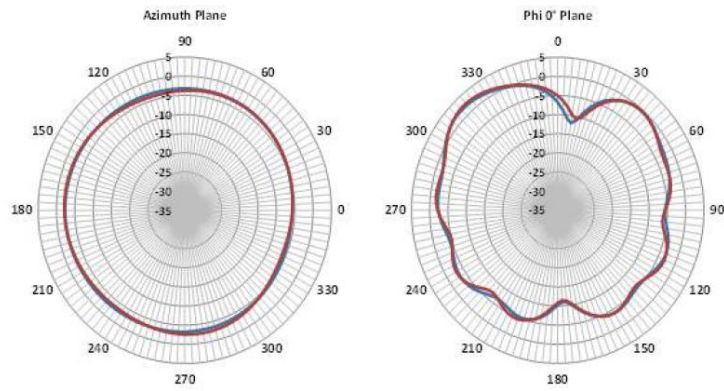
**698 MHz**



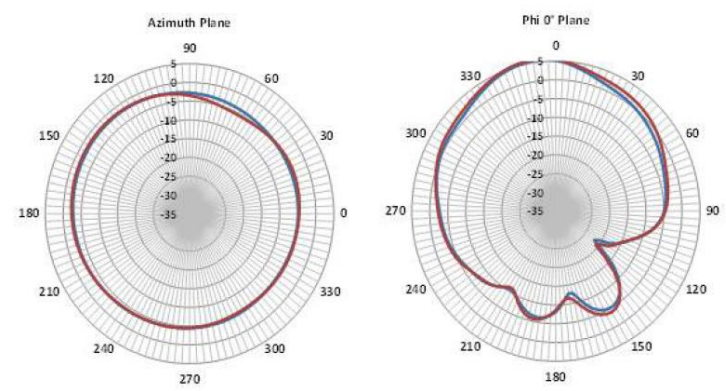
**880 MHz**



**960 MHz**



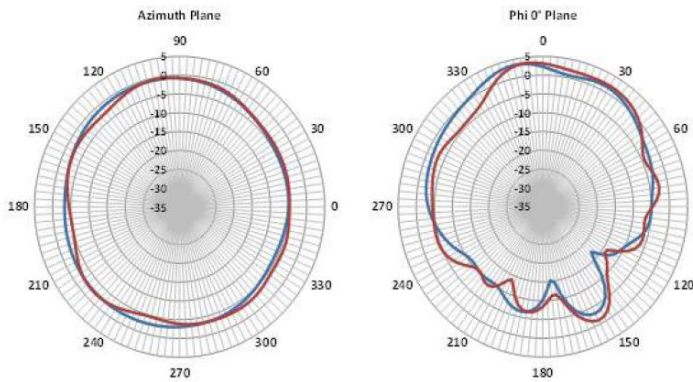
**1710 MHz**



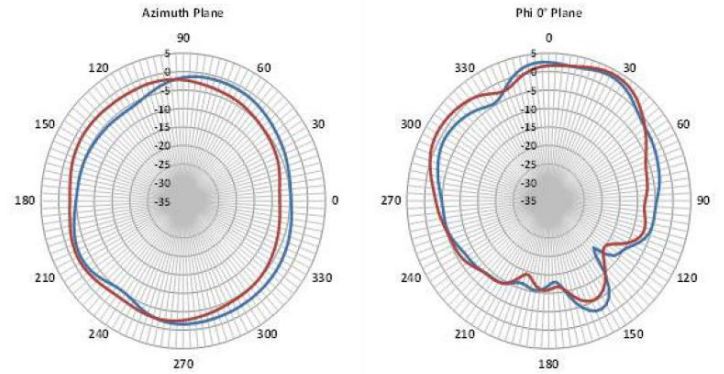
— On metal housing  
— On plastic housing with ground plane kit

RADIATION PATTERNS

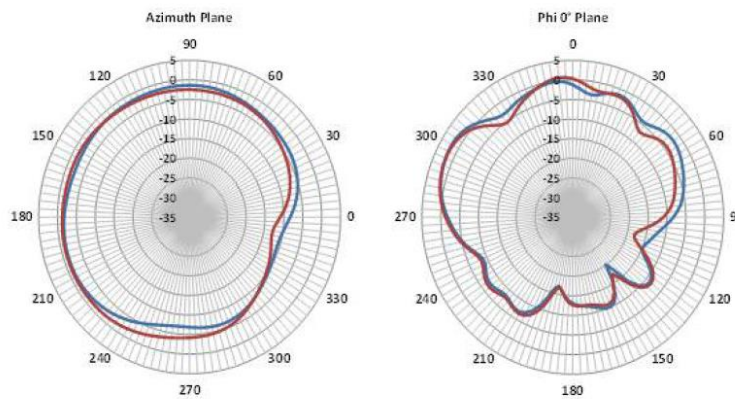
1950 MHz



2170 MHz



2700 MHz



— On metal housing  
— On plastic housing with ground plane kit

✓RoHS

Laird warrants to the original end user customer of its products that its products are free from defects in material and workmanship. Subject to conditions and limitations Laird will, at its option, either repair or replace any part of its products that prove defective because of improper workmanship or materials. This limited warranty is in force for the useful lifetime of the original end product into which the Laird product is installed. Useful lifetime of the original end product may vary but is not to exceed five (5) years from the original date of the end product purchase.

Any information furnished by Laird Inc. and its agents is believed to be accurate and reliable. All specifications are subject to change without notice. Responsibility for the use and application of Laird materials rests with the end user, since Laird and its agents cannot be aware of all potential uses. Laird makes no warranties as to the fitness, merchantability or suitability of any Laird materials or products for any specific or general uses. Laird shall not be liable for incidental or consequential damages of any kind. All Laird products are sold pursuant to the Laird Terms and Conditions of sale in effect from time to time, a copy of which will be furnished upon request.

© Copyright 2019 Laird Inc. All Rights Reserved. Laird, Laird Technologies, the Laird Logo, and other marks are trademarks or registered trademarks of Laird Inc. or an affiliate company thereof. Other product or service names may be the property of third parties. Nothing herein provides a license under any Laird or any third party intellectual property rights.

sales@lairdconnect.com  
support@lairdconnect.com  
www.lairdconnect.com

